

REVISIONS

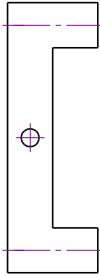
APPROVED

DATE

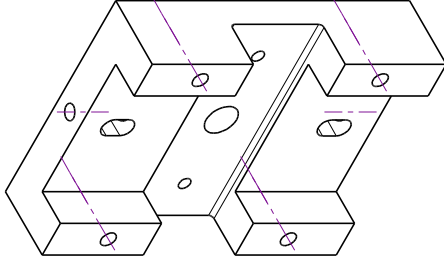
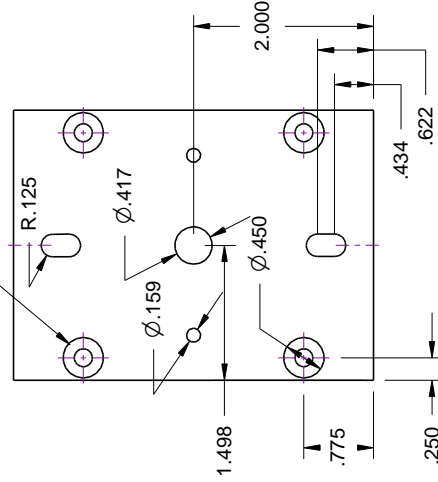
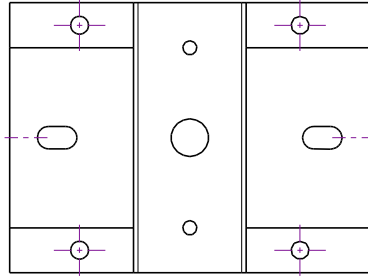
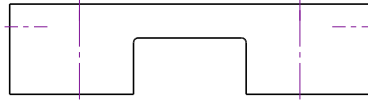
DESCRIPTION

REV

All machining demintions are same as "threaded half" except as noted.



Counter sink for 1/4-20 flat head screws



Drawn by:
Bruce Milligan

322 Blossom Ln
Albany, OR. 97321
www.SwitchCrafters.com



SIZE
A

FSCM NO.

DWG NO.

REV

Title: Roller Guide Half

SHEET